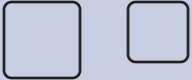


SECTIONS



Scale 1:10

Aluminium Range

Dales Square Aluminium Rainwater Pipes are available as standard in either 76.2mm or 101.6mm. Other square pipework can be supplied to order.

Dales standard pipe brackets are designed to fix the pipe very close to the wall and firmly clamp the pipe into position. This makes it virtually impossible for vandals to climb. Various non standard components e.g offsets, stand off brackets and special hoppers, are available to suit customers individual requirements.

Secret Fix Pipework

Dales square pipe is available with secret fixing and internal pipe jointing. This pipework offers improved security and very clean lines, for more information please contact our Project Management Team on Tel: 0115 930 1521.

Accessories

A wide range of standard components are available (see illustrations), however as manufacturers Dales Fabrications Ltd are able to offer purpose made components to suit individual project requirements.

Finish

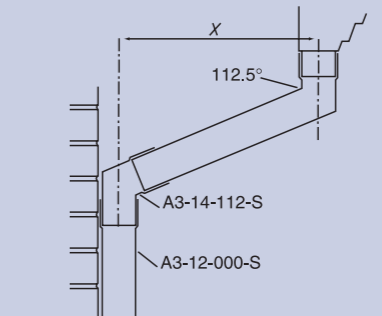
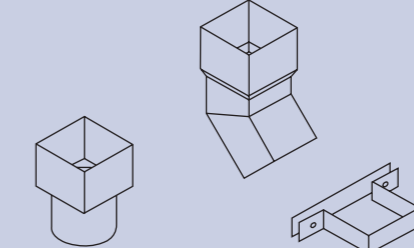
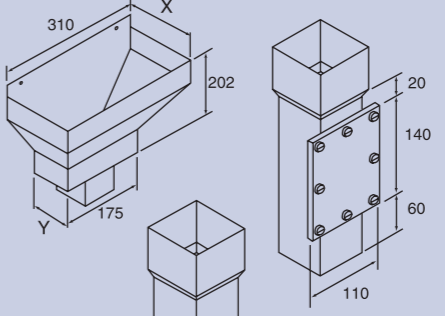
All Dales aluminium products are available in the Syntha Pulvin Plus or Interpon D polyester powder coating range of colours. This gives around 200 colours. For a current colour swatch, please contact our Project Management Team on Tel: 0115 930 1521.

A full list of the standard colours is available on our web site www.dales-eaves.co.uk. For non standard colours, please contact our Project Management Team on Tel: 0115 930 1521 and they will be happy to discuss your requirements.

101.6 and 76.2mm Square Rainwater Pipe

All pipes are nominal 3000mm long with socket at one end.

PIPE SIZE	Wall Thickness	PART REF
101.6 Sq	2.0	A2-12-000-S
76.2 Sq	1.6	A3-12-000-S

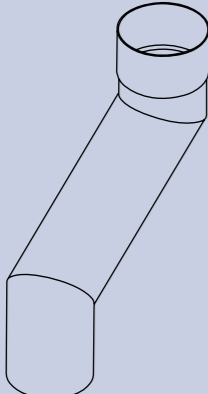
<h4>Square Pipes</h4> <p>Two piece Adjustable Offsets</p> <table border="1" style="width: 100%; border-collapse: collapse;"> <thead> <tr> <th>Pipe Size</th> <th>Part Ref</th> <th>x ≤ 400</th> <th>x ≤ 600</th> </tr> </thead> <tbody> <tr> <td>101.6 sq</td> <td>A2-26-040-S</td> <td>A2-26-060-S</td> <td></td> </tr> <tr> <td>76.2 sq</td> <td>A3-26-040-S</td> <td>A3-26-060-S</td> <td></td> </tr> <tr> <th colspan="4"> </th> </tr> <tr> <th>Pipe Size</th> <th>Part Ref</th> <th>x ≤ 800</th> <th>x ≤ 1000</th> </tr> <tr> <td>101.6 sq</td> <td>A2-26-080-S</td> <td>A2-26-100-S</td> <td></td> </tr> <tr> <td>76.2 sq</td> <td>A3-26-080-S</td> <td>A3-26-100-S</td> <td></td> </tr> </tbody> </table>	Pipe Size	Part Ref	x ≤ 400	x ≤ 600	101.6 sq	A2-26-040-S	A2-26-060-S		76.2 sq	A3-26-040-S	A3-26-060-S						Pipe Size	Part Ref	x ≤ 800	x ≤ 1000	101.6 sq	A2-26-080-S	A2-26-100-S		76.2 sq	A3-26-080-S	A3-26-100-S			
Pipe Size	Part Ref	x ≤ 400	x ≤ 600																											
101.6 sq	A2-26-040-S	A2-26-060-S																												
76.2 sq	A3-26-040-S	A3-26-060-S																												
Pipe Size	Part Ref	x ≤ 800	x ≤ 1000																											
101.6 sq	A2-26-080-S	A2-26-100-S																												
76.2 sq	A3-26-080-S	A3-26-100-S																												
<h4>Square to Round Drain Adaptor</h4> <table border="1" style="width: 100%; border-collapse: collapse;"> <thead> <tr> <th>Pipe Size</th> <th>Part Ref</th> </tr> </thead> <tbody> <tr> <td>101.6 Sq</td> <td>A2-18-000-X</td> </tr> <tr> <td>76.2 Sq</td> <td>A3-18-000-X</td> </tr> </tbody> </table>	Pipe Size	Part Ref	101.6 Sq	A2-18-000-X	76.2 Sq	A3-18-000-X		<h4>Pipe Elbow (shoe)</h4> <table border="1" style="width: 100%; border-collapse: collapse;"> <thead> <tr> <th>Pipe Size</th> <th>101.6 Sq</th> <th>76.2 Sq</th> </tr> </thead> <tbody> <tr> <td>Part Ref 92.5°</td> <td>A2-14-092-S</td> <td>A3-14-092-S</td> </tr> <tr> <td>Part Ref 112.5°</td> <td>A2-14-112-S</td> <td>A3-14-112-S</td> </tr> <tr> <td>Part Ref 135°</td> <td>A2-14-135-S</td> <td>A3-14-135-S</td> </tr> </tbody> </table> <h4>Square Pipe Bracket</h4> <table border="1" style="width: 100%; border-collapse: collapse;"> <thead> <tr> <th>Pipe Size</th> <th>Part Ref</th> </tr> </thead> <tbody> <tr> <td>101.6 sq</td> <td>A2-13-000-S</td> </tr> <tr> <td>76.2 sq</td> <td>A3-13-000-S</td> </tr> </tbody> </table>	Pipe Size	101.6 Sq	76.2 Sq	Part Ref 92.5°	A2-14-092-S	A3-14-092-S	Part Ref 112.5°	A2-14-112-S	A3-14-112-S	Part Ref 135°	A2-14-135-S	A3-14-135-S	Pipe Size	Part Ref	101.6 sq	A2-13-000-S	76.2 sq	A3-13-000-S				
Pipe Size	Part Ref																													
101.6 Sq	A2-18-000-X																													
76.2 Sq	A3-18-000-X																													
Pipe Size	101.6 Sq	76.2 Sq																												
Part Ref 92.5°	A2-14-092-S	A3-14-092-S																												
Part Ref 112.5°	A2-14-112-S	A3-14-112-S																												
Part Ref 135°	A2-14-135-S	A3-14-135-S																												
Pipe Size	Part Ref																													
101.6 sq	A2-13-000-S																													
76.2 sq	A3-13-000-S																													
<h4>Hopper Head</h4> <table border="1" style="width: 100%; border-collapse: collapse;"> <thead> <tr> <th>Pipe Size</th> <th>Dim X</th> <th>Dim Y</th> <th>Part Ref</th> </tr> </thead> <tbody> <tr> <td>101.6 Sq</td> <td>180</td> <td>115</td> <td>A2-17-000-S</td> </tr> <tr> <td>76.2 Sq</td> <td>152</td> <td>85</td> <td>A3-17-000-S</td> </tr> </tbody> </table> <h4>Pipe Connector</h4> <table border="1" style="width: 100%; border-collapse: collapse;"> <thead> <tr> <th>Pipe Size</th> <th>Part Ref</th> </tr> </thead> <tbody> <tr> <td>101.6 Sq</td> <td>A2-16-000-S</td> </tr> <tr> <td>76.2 Sq</td> <td>A3-16-000-S</td> </tr> </tbody> </table>	Pipe Size	Dim X	Dim Y	Part Ref	101.6 Sq	180	115	A2-17-000-S	76.2 Sq	152	85	A3-17-000-S	Pipe Size	Part Ref	101.6 Sq	A2-16-000-S	76.2 Sq	A3-16-000-S		<h4>Rodding Access Piece</h4> <table border="1" style="width: 100%; border-collapse: collapse;"> <thead> <tr> <th>Pipe Size</th> <th>Part Ref</th> </tr> </thead> <tbody> <tr> <td>101.6 Sq</td> <td>A2-15-000-S</td> </tr> <tr> <td>76.2 Sq</td> <td>A3-15-000-S</td> </tr> </tbody> </table>	Pipe Size	Part Ref	101.6 Sq	A2-15-000-S	76.2 Sq	A3-15-000-S				
Pipe Size	Dim X	Dim Y	Part Ref																											
101.6 Sq	180	115	A2-17-000-S																											
76.2 Sq	152	85	A3-17-000-S																											
Pipe Size	Part Ref																													
101.6 Sq	A2-16-000-S																													
76.2 Sq	A3-16-000-S																													
Pipe Size	Part Ref																													
101.6 Sq	A2-15-000-S																													
76.2 Sq	A3-15-000-S																													

**FOR ADDITIONAL COMPONENTS, PLEASE CONTACT ONE OF OUR PROJECT MANAGERS ON
TEL: 0115 930 1521**

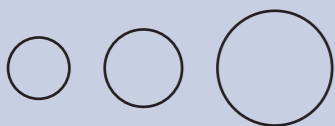
**POWDER COATED ALUMINIUM PIPEWORK
210**

- **Manufacturer and Reference:** Dales Fabrications Ltd: Square Aluminium Rainwater Pipes
Crompton Road Industrial Estate, Ilkeston, Derbys DE7 4BG. Tel: 0115 930 1521. Fax: 0115 930 7625.
website: www.dales-eaves.co.uk email: sales@dales-eaves.co.uk
Manufacturer to be BS EN ISO 9001 approved and hold Design/Professional Indemnity Insurance with a first class security in the London Market.
- Material/Grade:** Aluminium Tube to BS 1474: supplied by BS EN ISO 9002 registered stockist to ensure traceability.
- Shape:** Square
- Gauge:** 1.6mm (76.2mm)/ 2.0mm (101.6mm)
- Size:** 76.2mm / 101.6mm
- Finish/Colour:** Polyester powder coated, colour from Syntha Pulvin Plus range coated by only Syntha Pulvin approved and BS EN ISO 9002 registered applicators.
- Accessories:** Pipe connectors, square to round adaptors, pipe elbows, rodding access pieces, hopper heads, offset pipe brackets, pipe branches, pipe offsets, 2 piece adjustable offsets.
- **Method of Jointing:** Dry socket joint.
- **Method of Fixing:** Stainless steel self tapping screws into rawl plugs generally at two brackets per pipe. Fixings supplied by Dales.





SECTIONS



Scale 1:10

Aluminium Range

Dales Round Aluminium Rainwater Pipes are available in a variety of sizes from 76.2mm up to 152.4mm.

Dales standard pipe brackets are designed to fix the pipe very close to the wall and firmly clamp the pipe into position. This makes it very difficult for vandals to climb. Various non standard components e.g offsets, stand off brackets and special hoppers, are available to suit customers individual requirements.

Accessories

A wide range of standard components are available (see illustrations), however as manufacturers Dales Fabrications Ltd are able to offer purpose made components to suit individual project requirements.

Finish

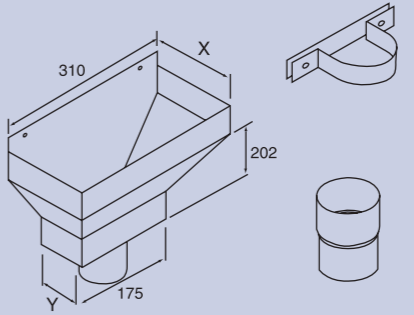
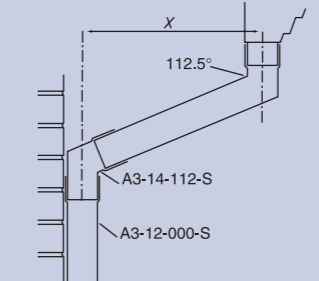
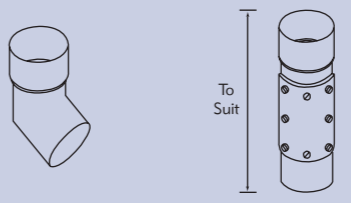
All Dales aluminium products are available in the Syntha Pulvin Plus or Interpon D polyester powder coating range of colours. This gives around 200 colours. For a current colour swatch, please contact our Project Management Team on Tel: 0115 930 1521.

A full list of the standard colours is available on our web site www.dales-eaves.co.uk. For non standard colours, please contact our Project Management Team on Tel: 0115 930 1521 and they will be happy to discuss your requirements.

76.2/101.6/152.4mm dia Rainwater Pipe

All pipes are nominal 3000mm long with socket at one end.

PIPE SIZE	Wall Thickness	PART REF
152.4 dia	2.5	A1-12-000-D
101.6 dia	1.6	A2-12-000-D
76.2 dia	1.6	A3-12-000-D

<h4>Hopper Head</h4> <table border="1"> <thead> <tr> <th>Pipe Size</th> <th>Dim X</th> <th>Dim Y</th> <th>Part Ref</th> </tr> </thead> <tbody> <tr> <td>101.6 dia</td> <td>180</td> <td>115</td> <td>A2-17-000-D</td> </tr> <tr> <td>76.2 dia</td> <td>152</td> <td>85</td> <td>A3-17-000-D</td> </tr> </tbody> </table>	Pipe Size	Dim X	Dim Y	Part Ref	101.6 dia	180	115	A2-17-000-D	76.2 dia	152	85	A3-17-000-D		<h4>Round Pipe Bracket</h4> <table border="1"> <thead> <tr> <th>Pipe Size</th> <th>Part Ref</th> </tr> </thead> <tbody> <tr> <td>101.6 dia</td> <td>A2-13-000-D</td> </tr> <tr> <td>76.2 dia</td> <td>A3-13-000-D</td> </tr> </tbody> </table> <h4>Pipe Connector</h4> <table border="1"> <thead> <tr> <th>Pipe Size</th> <th>Part Ref</th> </tr> </thead> <tbody> <tr> <td>152.4 dia</td> <td>A1-16-000-D</td> </tr> <tr> <td>101.6 dia</td> <td>A2-16-000-D</td> </tr> <tr> <td>76.2 dia</td> <td>A3-16-000-D</td> </tr> </tbody> </table>	Pipe Size	Part Ref	101.6 dia	A2-13-000-D	76.2 dia	A3-13-000-D	Pipe Size	Part Ref	152.4 dia	A1-16-000-D	101.6 dia	A2-16-000-D	76.2 dia	A3-16-000-D		
Pipe Size	Dim X	Dim Y	Part Ref																											
101.6 dia	180	115	A2-17-000-D																											
76.2 dia	152	85	A3-17-000-D																											
Pipe Size	Part Ref																													
101.6 dia	A2-13-000-D																													
76.2 dia	A3-13-000-D																													
Pipe Size	Part Ref																													
152.4 dia	A1-16-000-D																													
101.6 dia	A2-16-000-D																													
76.2 dia	A3-16-000-D																													
<h4>Diameter Pipes</h4> <p>Two piece Adjustable Offsets</p> <table border="1"> <thead> <tr> <th>Pipe Size</th> <th>Part Ref</th> <th>x ≤ 400</th> <th>x ≤ 600</th> </tr> </thead> <tbody> <tr> <td>152.4 dia</td> <td>A1-26-040-D</td> <td>A1-26-060-D</td> <td></td> </tr> <tr> <td>101.6 dia</td> <td>A2-26-040-D</td> <td>A2-26-060-D</td> <td></td> </tr> <tr> <td>76.2 dia</td> <td>A3-26-040-D</td> <td>A3-26-060-D</td> <td></td> </tr> </tbody> </table> <table border="1"> <thead> <tr> <th>Pipe Size</th> <th>x ≤ 800</th> <th>x ≤ 1000</th> </tr> </thead> <tbody> <tr> <td>152.4 dia</td> <td>A1-26-080-D</td> <td>A1-26-100-D</td> </tr> <tr> <td>101.6 dia</td> <td>A2-26-080-D</td> <td>A2-26-100-D</td> </tr> <tr> <td>76.2 dia</td> <td>A3-26-080-D</td> <td>A3-26-100-D</td> </tr> </tbody> </table>	Pipe Size	Part Ref	x ≤ 400	x ≤ 600	152.4 dia	A1-26-040-D	A1-26-060-D		101.6 dia	A2-26-040-D	A2-26-060-D		76.2 dia	A3-26-040-D	A3-26-060-D		Pipe Size	x ≤ 800	x ≤ 1000	152.4 dia	A1-26-080-D	A1-26-100-D	101.6 dia	A2-26-080-D	A2-26-100-D	76.2 dia	A3-26-080-D	A3-26-100-D		
Pipe Size	Part Ref	x ≤ 400	x ≤ 600																											
152.4 dia	A1-26-040-D	A1-26-060-D																												
101.6 dia	A2-26-040-D	A2-26-060-D																												
76.2 dia	A3-26-040-D	A3-26-060-D																												
Pipe Size	x ≤ 800	x ≤ 1000																												
152.4 dia	A1-26-080-D	A1-26-100-D																												
101.6 dia	A2-26-080-D	A2-26-100-D																												
76.2 dia	A3-26-080-D	A3-26-100-D																												
<h4>Pipe Elbow (shoe)</h4> <table border="1"> <thead> <tr> <th>Pipe Size</th> <th>152.4 dia</th> <th>101.6 dia</th> </tr> </thead> <tbody> <tr> <td>Part Ref 92.5°</td> <td>A1-14-092-D</td> <td>A2-14-092-D</td> </tr> <tr> <td>Part Ref 112.5°</td> <td>A1-14-112-D</td> <td>A2-14-112-D</td> </tr> <tr> <td>Part Ref 135°</td> <td>A1-14-135-D</td> <td>A2-14-135-D</td> </tr> </tbody> </table> <table border="1"> <thead> <tr> <th>Pipe Size</th> <th>76.2 dia</th> </tr> </thead> <tbody> <tr> <td>Part Ref 92.5°</td> <td>A3-14-092-D</td> </tr> <tr> <td>Part Ref 112.5°</td> <td>A3-14-112-D</td> </tr> <tr> <td>Part Ref 135°</td> <td>A3-14-135-D</td> </tr> </tbody> </table>	Pipe Size	152.4 dia	101.6 dia	Part Ref 92.5°	A1-14-092-D	A2-14-092-D	Part Ref 112.5°	A1-14-112-D	A2-14-112-D	Part Ref 135°	A1-14-135-D	A2-14-135-D	Pipe Size	76.2 dia	Part Ref 92.5°	A3-14-092-D	Part Ref 112.5°	A3-14-112-D	Part Ref 135°	A3-14-135-D		<h4>Rodding Access Piece</h4> <table border="1"> <thead> <tr> <th>Pipe Size</th> <th>Part Ref</th> </tr> </thead> <tbody> <tr> <td>101.6 dia</td> <td>A2-15-000-D</td> </tr> <tr> <td>76.2 dia</td> <td>A3-15-000-D</td> </tr> </tbody> </table>	Pipe Size	Part Ref	101.6 dia	A2-15-000-D	76.2 dia	A3-15-000-D		
Pipe Size	152.4 dia	101.6 dia																												
Part Ref 92.5°	A1-14-092-D	A2-14-092-D																												
Part Ref 112.5°	A1-14-112-D	A2-14-112-D																												
Part Ref 135°	A1-14-135-D	A2-14-135-D																												
Pipe Size	76.2 dia																													
Part Ref 92.5°	A3-14-092-D																													
Part Ref 112.5°	A3-14-112-D																													
Part Ref 135°	A3-14-135-D																													
Pipe Size	Part Ref																													
101.6 dia	A2-15-000-D																													
76.2 dia	A3-15-000-D																													

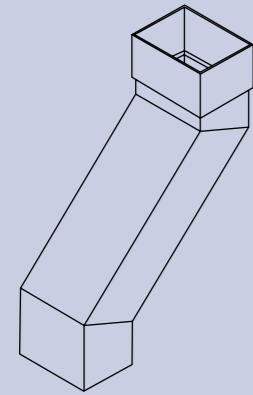
**FOR ADDITIONAL COMPONENTS, PLEASE CONTACT ONE OF OUR PROJECT MANAGERS ON
 TEL: 0115 930 1521**

**POWDER COATED ALUMINIUM PIPEWORK
 210**

- **Manufacturer and Reference:** Dales Fabrications Ltd: Diameter Aluminium Rainwater Pipes
 Crompton Road Industrial Estate, Ilkeston, Derbys DE7 4BG. Tel: 0115 930 1521. Fax: 0115 930 7625.
 website: www.dales-eaves.co.uk email: sales@dales-eaves.co.uk
 Manufacturer to be BS EN ISO 9001 approved and hold Design/Professional Indemnity Insurance with a first class security in the London Market.
- **Material/Grade:** Aluminium Tube to BS 1474: supplied by BS EN ISO 9002 registered stockist to ensure traceability.
- **Shape:** Diameter
- **Gauge:** 1.6mm (101 & 76) 2.5mm (152)
- **Size:** 101.6 / 76.2mm / 152.4mm
- **Finish/Colour:** Polyester powder coated, colour from Syntha Pulvin Plus range coated by only Syntha Pulvin approved and BS EN ISO 9002 registered applicators.
- **Accessories:** Pipe connectors, pipe elbows, rodding access pieces, hopper heads, offset pipe brackets, pipe branches, pipe offsets, 2 piece adjustable offsets.
- **Method of Jointing:** Dry socket joint.
- **Method of Fixing:** Stainless steel self tapping screws into rawl plugs generally at two brackets per pipe. Fixings supplied by Dales.
 For non standard pipe sizes, please contact a Dales Project manager on Tel: 0115 930 1521. We will be pleased to give further advice on availability and prices along with a revised NBS clause suitable to your particular detail.



DALES Rectangular Aluminium Pipes 101.6 x 76.2mm



SECTION



Scale 1:10

Aluminium Range

Dales rectangular pipes have square edged corners. Dales standard pipe brackets are designed to fix the pipe very close to the wall and firmly clamp the pipe into position. This makes it virtually impossible for vandals to climb. Various non standard components e.g offsets, stand off brackets and special hoppers, are available to suit customers individual requirements.

Secret Fix Pipework

Dales rectangular pipe is available with secret fixing and internal pipe jointing. This pipework offers improved security and very clean lines, for more information please contact our Project Management Team on Tel: 0115 930 1521.

Accessories

A wide range of standard components are available (see illustrations), however as manufacturers Dales Fabrications Ltd are able to offer purpose made components to suit individual project requirements.

Finish

All Dales aluminium products are available in the Syntha Pulvin Plus or Interpon D polyester powder coating range of colours. This gives around 200 colours.

For a current colour swatch, please contact our Project Management Team on Tel: 0115 930 1521.

A full list of the standard colours is available on our web site www.dales-eaves.co.uk.

For non standard colours, please contact our Project Management Team on Tel: 0115 930 1521 and they will be happy to discuss your requirements.

101.6 x 76.2mm Rectangular Rainwater Pipe

All pipes are nominal 3000mm long with socket at one end.

The pipe wall thickness is 2mm.

DALES components & NBS Specification Clause

<p>Hopper Head Part Ref A5-17-000-S</p>		<p>Rectangular Pipe Bracket Part Ref A5-13-000-S</p>
<p>Drain Adaptor Part Ref A5-18-000-X</p>		<p>Pipe Elbow (shoe) Angle 92.5° 112.5° 135° Part Ref A5-14-092-X A5-14-112-X A5-14-135-X</p>
<p>Pipe Connector Part Ref A5-16-000-X</p>		<p>Rodding Access Piece Part Ref A5-15-000-X</p>

FOR ADDITIONAL COMPONENTS, PLEASE CONTACT ONE OF OUR PROJECT MANAGERS ON TEL: 0115 930 1521

POWDER COATED ALUMINIUM PIPEWORK 210

- Manufacturer and Reference:** Dales Fabrications Ltd: Rectangular Aluminium Rainwater Pipes
Crompton Road Industrial Estate, Ilkeston, Derbys DE7 4BG. Tel: 0115 930 1521. Fax: 0115 930 7625.
website: www.dales-eaves.co.uk email: sales@dales-eaves.co.uk
Manufacturer to be BS EN ISO 9001 approved and hold Design/Professional Indemnity Insurance with a first class security in the London Market.
Material/Grade: Aluminium Tube to BS 1474: supplied by BS EN ISO 9002 registered stockist to ensure traceability.

Shape: Rectangular
Gauge: 2.0mm
Size: 101.6 x 76.2mm

Finish/Colour: Polyester powder coated, colour from Syntha Pulvin Plus range coated by only Syntha Pulvin approved and BS EN ISO 9002 registered applicators.

Accessories: Pipe connectors, square to round adaptors, pipe elbows, rodding access pieces, hopper heads, offset pipe brackets, pipe branches, pipe offsets, 2 piece adjustable offsets.

- Method of Joining:** Dry socket joint.
- Method of Fixing:** Stainless steel self tapping screws into rawl plugs generally at two brackets per pipe. Fixings supplied by Dales.
For non standard pipe sizes, secret fix pipe systems etc., please contact a Dales Project manager on Tel: 0115 930 1521. We will be pleased to give further advice on availability and prices along with a revised NBS clause suitable to your particular detail.



© DALES FABRICATIONS LIMITED

Telephone: 0115 930 1521 • Fax: 0115 930 7625 • Email: sales@dales-eaves.co.uk