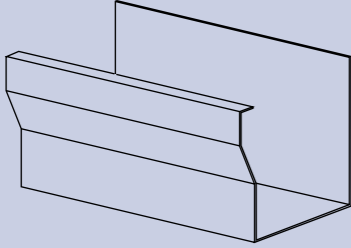


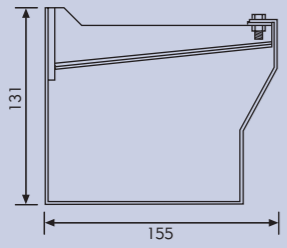
DALES New Classic Gutter



DALES components & NBS Specification Clause



PROFILE



Dales Classic Gutter

Due to its increasing popularity the Classic has been adapted to suit a variety of situations. An increasingly popular method of support is the top fix, internal gutter bracket. This has now been adopted as a standard and is usually referred to as the 'New Classic'.

Accessories

A wide range of standard components are available (see illustrations), however as manufacturers Dales Fabrications Ltd are able to offer purpose made components to suit individual project requirements.

Finish

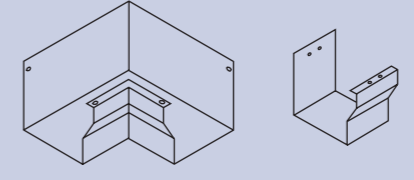
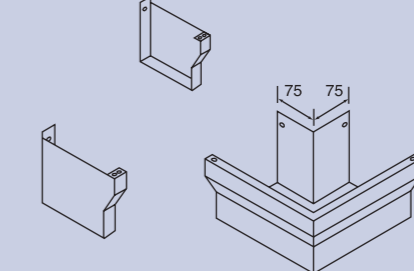
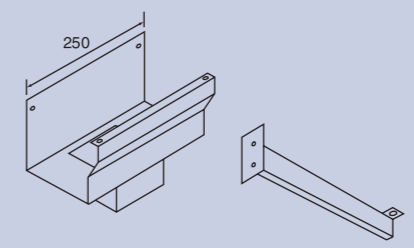
All Dales aluminium products are available in the Syntha Pulvin Plus or Interpon D polyester powder coating range of colours. This gives around 200 colours. For a current colour swatch, please contact our Project Management Team on Tel: 0115 930 1521.

A full list of the standard colours is available on our web site www.dales-eaves.co.uk. For non standard colours, please contact our Project Management Team on Tel: 0115 930 1521 and they will be happy to discuss your requirements.

Dales Classic Gutter

Gutter Capacity:	5.36 l/s
101mm Sq Outlet Capacity:	5.98 l/s
101mm dia Outlet Capacity:	4.86 l/s
76.2mm Sq Outlet Capacity:	3.35 l/s
76.2mm dia Outlet Capacity:	2.68 l/s

Scale 1:5 - dimensions in mm

Internal Corner Angle 90° 135°	Dales Classic NC-05-090-I NC-05-135-I		Joint Strap Part Ref NC-02-000-X 1 No Req for each gutter 1 No Req for each corner 2 No Req for each outlet
Stop Ends Left Hand NC-03-000-L	Right Hand NC-03-000-R		External Corner Angle 90° 135°
Standard Outlets Spigot 60mm long Size 76 Sq 76 dia 101 Sq 101 dia	Part Ref NC-04-076-S NC-04-076-D NC-04-101-S NC-04-101-D		Internal Gutter Brackets Required at 750mm (max) NC-06-000-I Plus 1 No per outlet and corner

**FOR ADDITIONAL COMPONENTS, PLEASE CONTACT ONE OF OUR PROJECT MANAGERS ON
TEL: 0115 930 1521**

POWDER COATED ALUMINIUM GUTTERS 230

- **Manufacturer and Reference:** Dales Fabrications Ltd: Dales New Classic Gutter
Crompton Road Industrial Estate, Ilkeston, Derbys DE7 4BG. Tel: 0115 930 1521. Fax: 0115 930 7625.
website: www.dales-eaves.co.uk email: sales@dales-eaves.co.uk
Manufacturer to be BS EN ISO 9001 approved and hold Design/Professional Indemnity Insurance with a first class security in the London Market.
- **Material/Grade:** Aluminium Sheet to EN 485/515/573, supplied by BS EN ISO 9002 registered stockist to ensure traceability.
- **Gauge:** 1.6mm
- **Size:** 155 x 131
- **Finish/Colour:** Polyester powder coated, colour from Syntha Pulvin Plus range coated by only Syntha Pulvin approved and BS EN ISO 9002 registered applicators.
- **Accessories:** Polyester powder coated joint straps, stop ends, internal and external corners, outlets and special items. Fixings and joint sealant recommended for the purpose and supplied by Dales Fabrications Ltd.
- **Method of Jointing:** Joint straps securely clinched at top front edge. Joints assembled dry with 8mm expansion gap filled with Dales silicone sealant applied to dry surfaces after assembly.
- **Method of Fixing:** Fixed with internal gutter brackets at maximum 750 centres. HEX HD Climadure anti-corrosion coated, zinc plated, self drill self tap fastener 5.5mm gauge x 50mm long with EPDM bonded seal washer through all pre-punched holes in the back of the gutter and accessories.



© DALES FABRICATIONS LIMITED

Telephone: 0115 930 1521 • Fax: 0115 930 7625 • Email: sales@dales-eaves.co.uk